

SERVICE BULLETIN

SB No. 028

Issue No. 1

TITLE

SPECIAL INSPECTION - A125D/66 STIFFNUTS

CLASSIFICATION

This S.B. has been classified as Mandatory by the U.K. C.A.A.

COMPLIANCE Within the next 50 flying hours.

APPLICABILITY

T67 Aircraft as follows:

2045-2051	(LN-TFA to LN-TFF)
2052	(G-FLYV)
2053	(G-GAFG)
2054	(G-BONT)
2055-2059	(TC-CBF to TC-CBK)
2060-2061	(HKG12, HKG13)
2063	(G-BOXK)

INTRODUCTION

A small number of cases have occurred recently of cracking of the "clinch" locking feature of certain A125D/66 Stiffnuts during tightening.

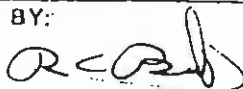
This cracking makes the locking feature of the nut ineffective.

It is also possible for the cracked section to break off, thus forming a potential loose object hazard.

These nuts are used in up to 4 different areas of the aircraft, according to model, as follows:

1. Vacuum system - filter mounting, see Fig. 1 item 39 - All models.
2. Loudspeaker mounting, see Fig.2 - All models.
3. Governor control cable, see Fig. 3 Item 27 - T67M-MkII, T67M200
4. Mixture control assembly, see Fig. 4 Item 13 - T67M200 only.

ISSUED BY:

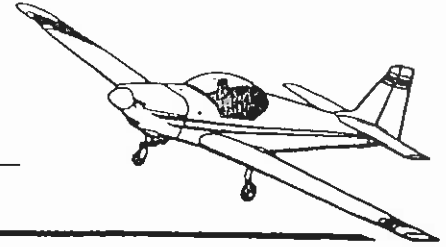



for and on behalf of SLINGSBY AVIATION PLC

Kirkbymoorside York YO6 6EZ England Tel 0751 32474 Telex 57597

Date 17.11.88

Page 1 of 6

**SERVICE BULLETIN**

SB No. 028

Issue No. 1

TITLE SPECIAL INSPECTION - A125D/66 STIFFNUTS

CONTINUED

ACTION

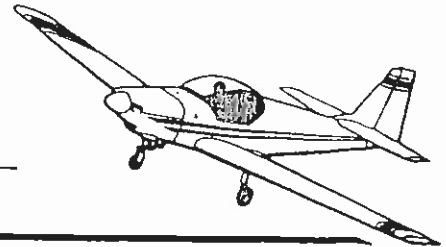
Replace A125D/66 stiffnuts at positions indicated. See notes 1 to 4 page 1, Ref. Figs. 1 to 4 pages 3 to 6.

Annotate aircraft documentation "S.B.28 accomplished".

Approved: 

Date: 17.11.88

Page 2 of 6



SERVICE BULLETIN

SB No. 028

Issue No. 1

TITLE SPECIAL INSPECTION - A1250/66 STIFFNUTS

CONTINUED

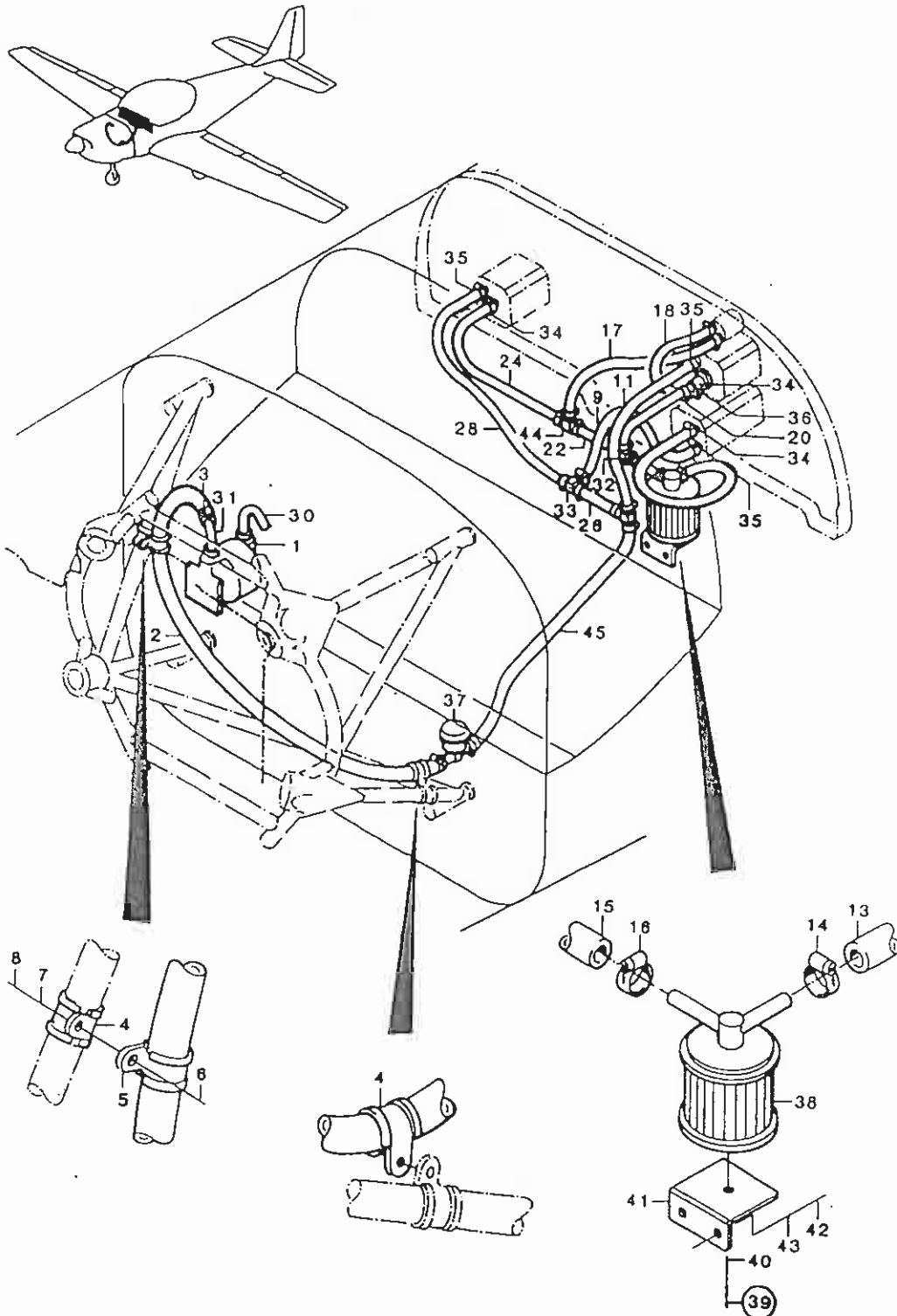


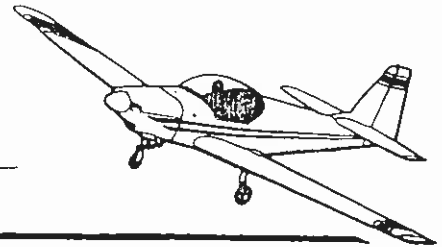
FIG. 1 VACUUM FILTER MOUNTING - ALL GRP SERIES

Approved: *R. C. ...*

B. Mellens

Date: 17.11.88

Page 3 of 6



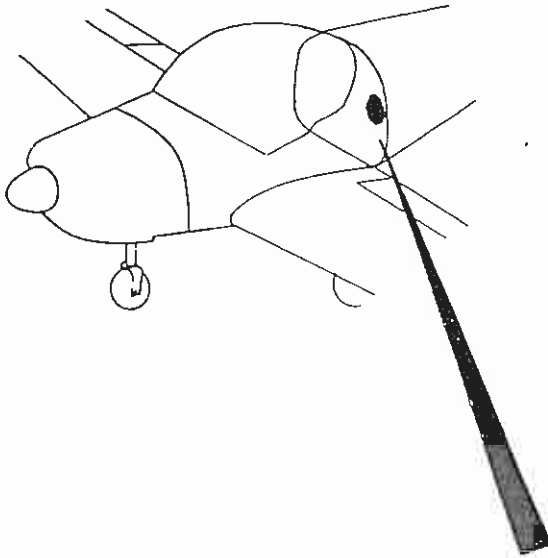
SERVICE BULLETIN

SB No. 028

Issue No. 1

TITLE SPECIAL INSPECTION - A125D/66 STIFFNUTS

CONTINUED



A125D/66 Stiffnuts
(4 OFF)

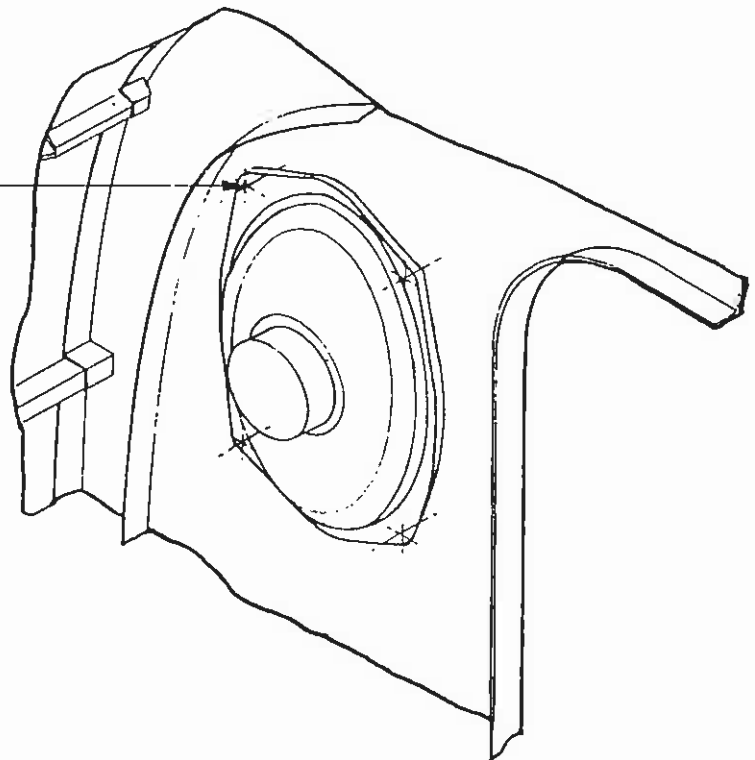


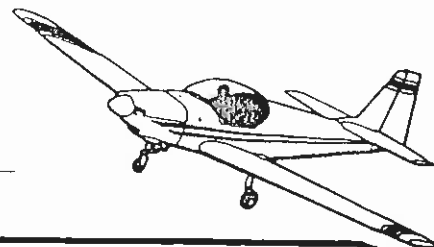
FIG. 2 LOUDSPEAKER MOUNTING ALL GRP SERIES

Approved: *[Signature]*

[Signature]

Date: 17.11.88

Page 4 of 6



SERVICE BULLETIN

SB No. 028

Issue No. 1

TITLE

SPECIAL INSPECTION - A125D/66 STIFFNUTS

CONTINUED

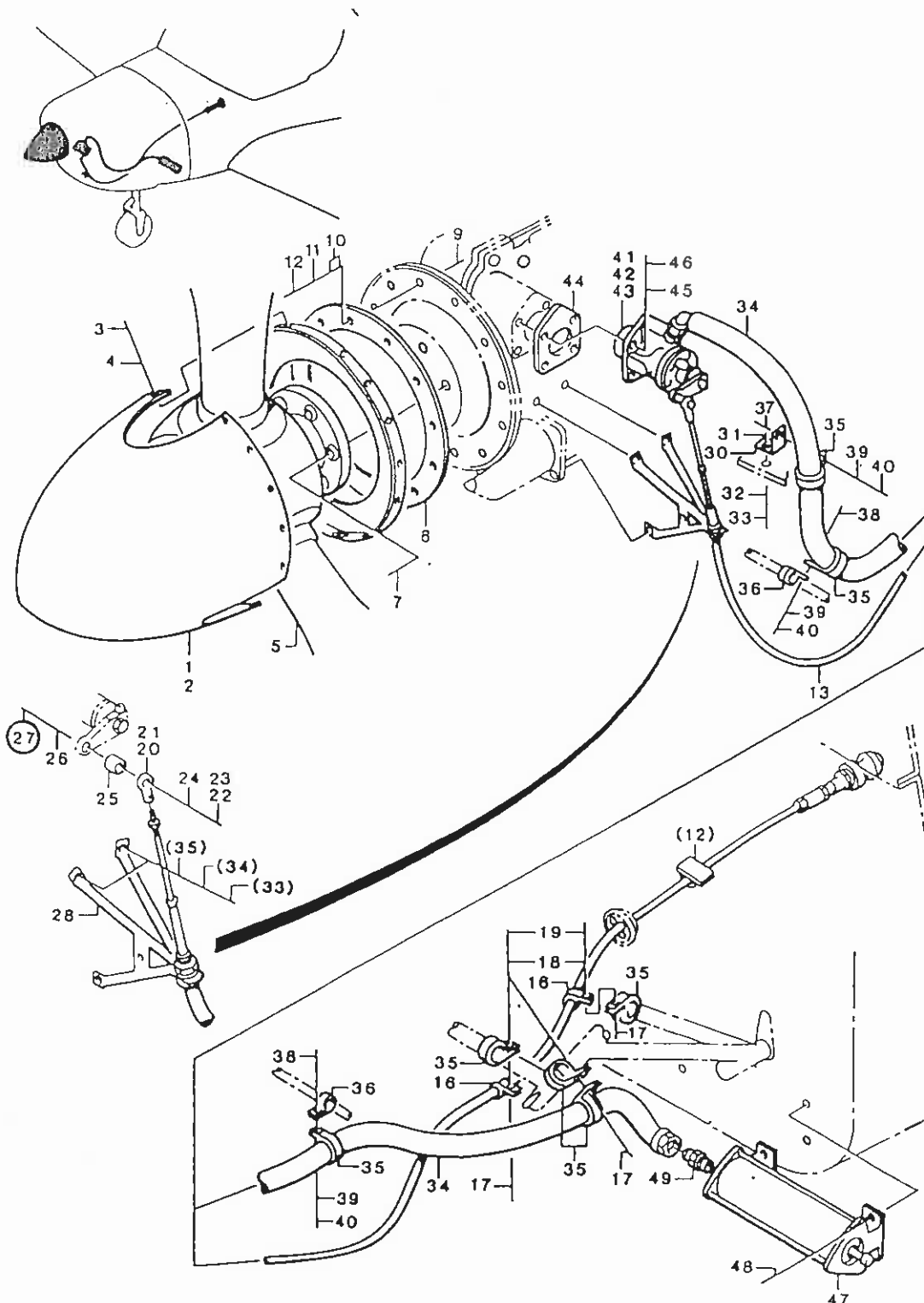


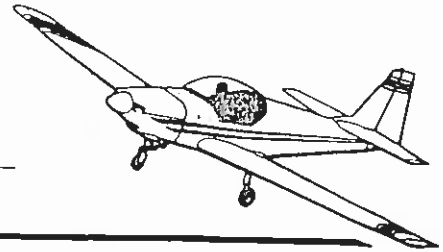
FIG. 3 GOVERNOR CONTROL CABLE - T67M-MkII, T67M200

Approved: *RCB*

B. Mellens

Date: 17.11.88

Page 5 of 6



SERVICE BULLETIN

SB No. 028

Issue No. 1

TITLE SPECIAL INSPECTION - A1250/66 STIFFNUTS

CONTINUED

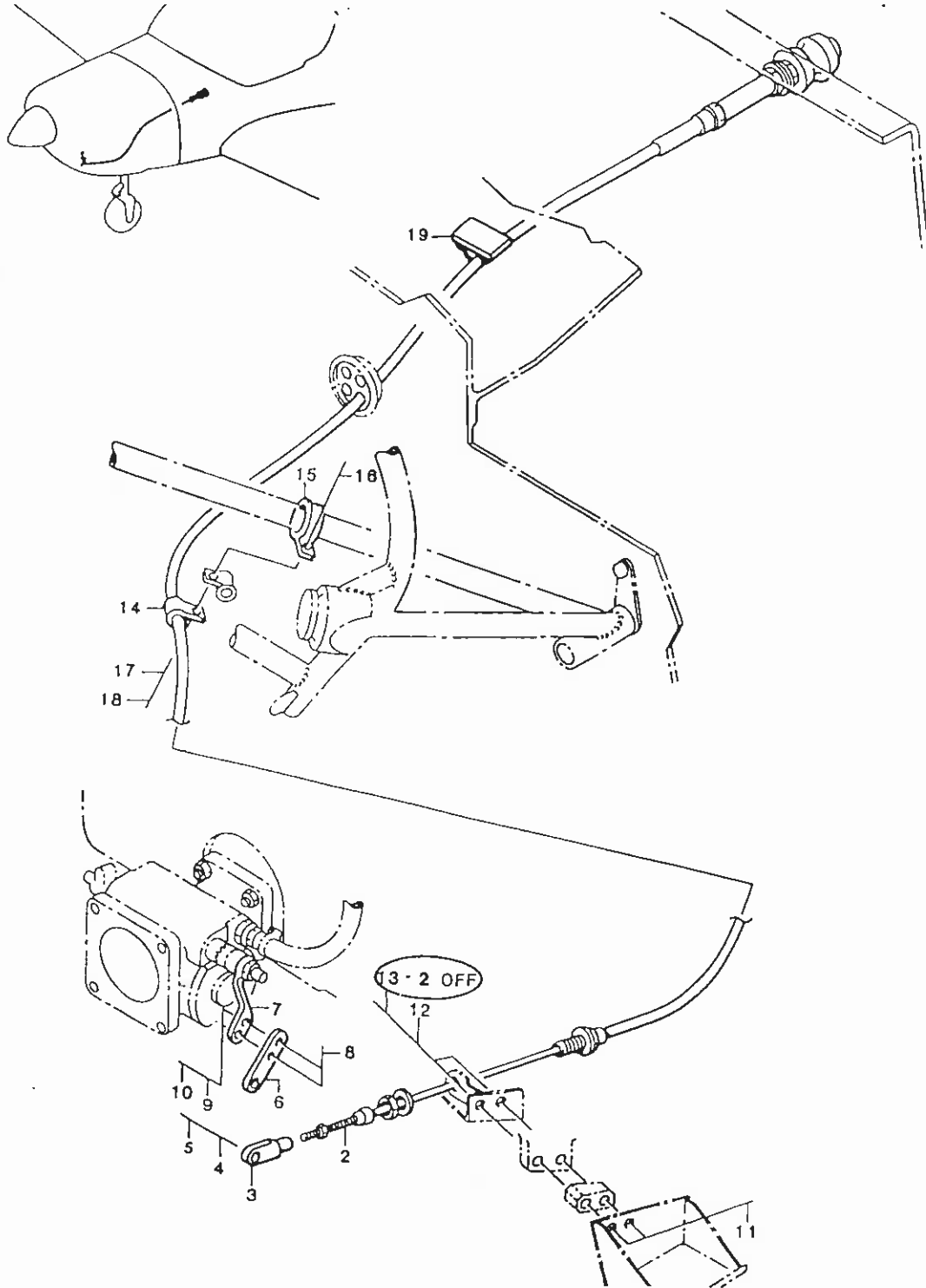


FIG. 4 MIXTURE CONTROL CABLE MOUNTING - T67M200

Approved: *RWB*

B. Miller

Date: 17.11.88

Page 6 of 6