**SERVICE BULLETIN**

SB No. 95 Issue No. 1

TITLE INSPECTION OF THROTTLE CABLE MOUNTING BRACKET

## CLASSIFICATION

This Service Bulletin has been classified as Recommended by SAL

## COMPLIANCE

Within next 50 hours

**APPLICABILITY:**

T67M and T67M-MkII.

**INTRODUCTION:**

A case has been reported of cracking at the throttle/cable attachment position on the throttle/mixture cable mounting bracket, positioned behind the fuel injector.

**ACTION**

1. Disconnect throttle cable mounting nuts. Ref Fig. 1.
2. Inspect for cracks around mounting hole. Ref View on Arrow 'A'.
3. If no cracks are found reassemble.
4. Annotate in logbook SB 95 complied with.
5. If cracks are found, replace throttle/mixture mounting bracket T67M-50-233. Report findings to SAL.
6. Annotate in logbook SB 95 complied with.

For replacement bracket T67M-50-233 contact SAL Product Support Department.

ISSUED BY:



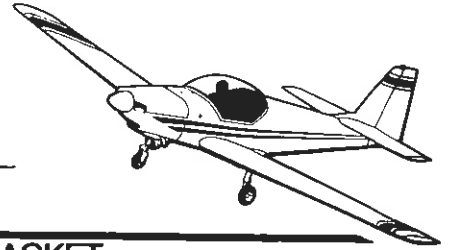
Date 18-4-96

for and on behalf of

SLINGSBY AVIATION LIMITED

Kirkbymoorside, York YO6 6EZ England Tel 0751 32474 Telex 57597

Page 1 of 2



# SERVICE BULLETIN

SB No.

95

Issue No.

1

TITLE INSPECTION OF THROTTLE CABLE MOUNTING BRACKET

CONTINUED

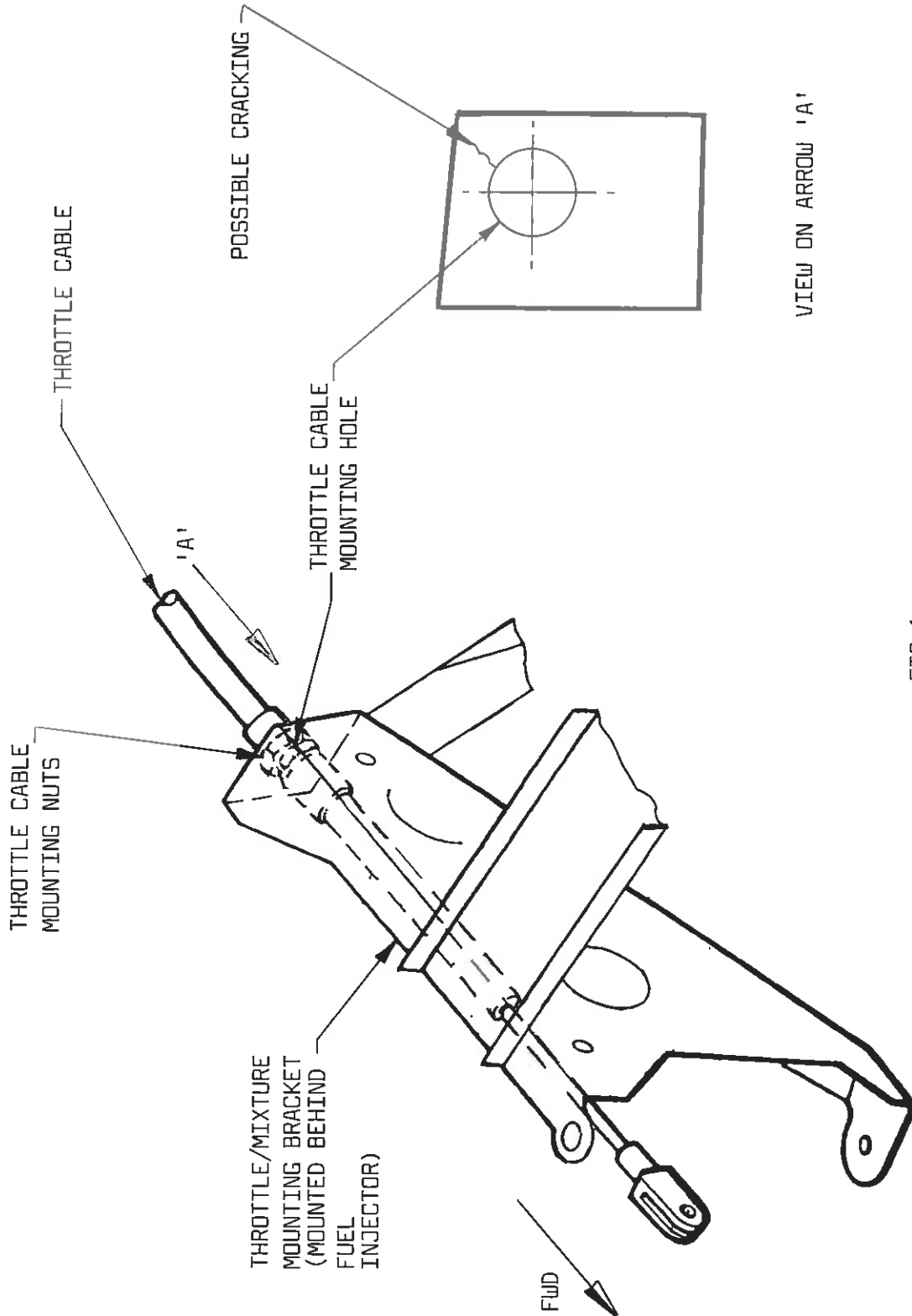


FIG 1  
THROTTLE CABLE FLUID MOUNTING

Approved:

*B. Mellen*

Date: 18-4-96

Page

2

of

2