

SERVICE BULLETIN

SB No. 021

Issue No. 1

TITLE

SPECIAL INSPECTION TO ENGINE MOUNTING FRAMES T67 GRP 160 HP AND 200 HP AIRCRAFT. PRE MOD M278A and MOD M278B RESPECTIVELY

CLASSIFICATION
COMPLIANCE

- a) 160 HP: At 2400 hours from new and at each annual thereafter until Mod M278A incorporated.
- b) 200 Hp: At 1200 hours from new and at each annual thereafter until Mod M278B incorporated.

APPLICABILITY:

a) 160 HP:

T67C : Works No. 2014
 T67D : Works No. 2012
 T67M : Works Nos. 1999, 2000, 2002-2004, 2009 and 2010
 T67M-MkII : Works Nos. 2017, 2018, 2021, 2022, 2043, 2044 and 2047.

b) 200 HP:

T67M200 : Works Nos. 2027, 2030-2034 and 2038-2042.

INTRODUCTION

The following inspection and rectification procedures have been actioned by results from a continuous airframe fatigue programme. This programme highlighted a possible point of cracking on the engine mounting frame at the position/s indicated by Fig. 1.

ACTION

At the compliances stated above remove protective treatment from welds shown in Fig. 1 and by dye penetrant methods check for cracks in relevant areas indicated, especially stbd top mounting pad. If no cracks are found restore finish. Alternatively if a crack is found engine mounting frame is to be replaced as follows:

- i) 160 HP aircraft: engine mounting frame T67M-51-203 post Mod M278A to be installed in lieu of engine mounting frame T67M-51-201 pre Mod M278A.

ISSUED
 21-12-87

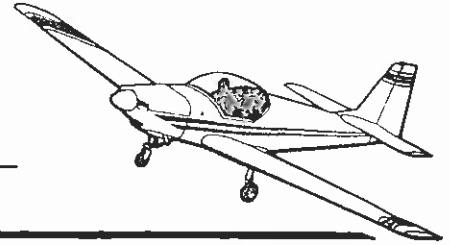
ISSUED BY:



Date 15.12.87

 for and on behalf of SLINGSBY AVIATION PLC
 Kirkbymoorside York YO6 6EZ England Tel 0751 32474 Telex 57597

Page 1 of 2



SERVICE BULLETIN

SB No. 021

Issue No. 1

TITLE

SPECIAL INSPECTION TO ENGINE MOUNTING FRAMES T67 GRP 160 HP AND 200 HP AIRCRAFT. PRE MOD M278A and MOD M278B RESPECTIVELY

CONTINUED

- ii) 200 HP aircraft: engine mounting frame T67F-51-203 post Mod M278B to be installed in lieu of engine mounting frame T67F-51-201 pre Mod M278B.

For further information and/or Modification Bulletin contact Product Support Manager at address at the bottom of this Service Bulletin.

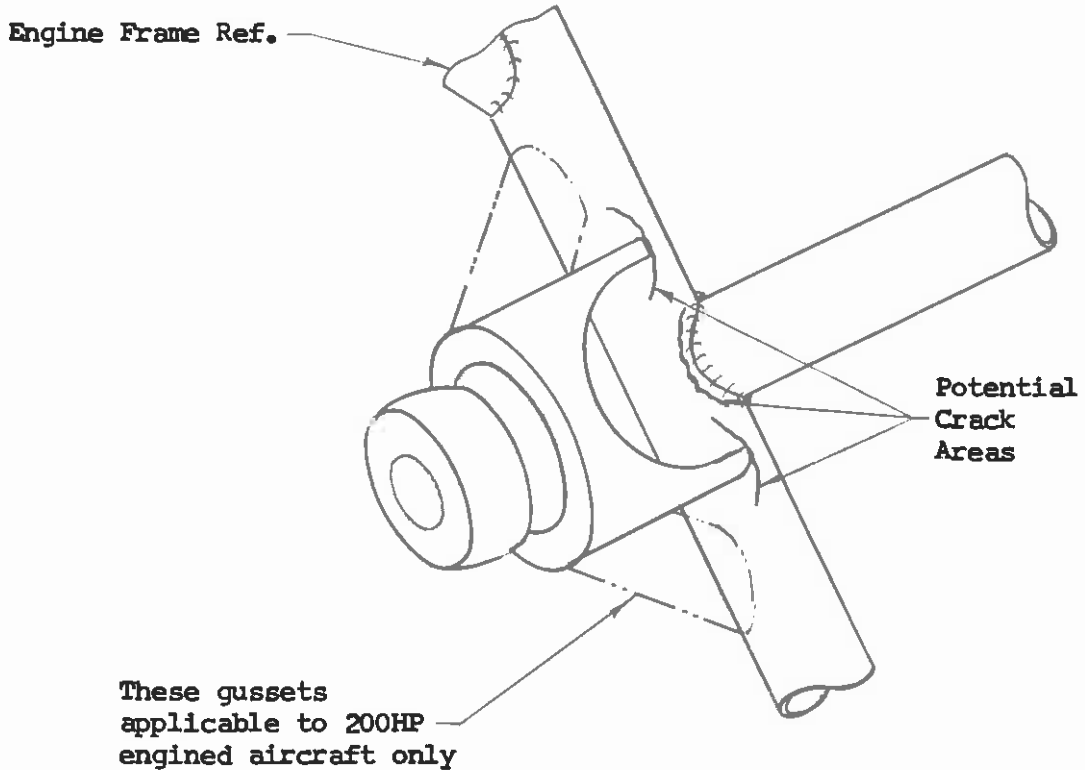


FIG. 1

Approved:

B. Miller

Date:

15.12.87

Page

2 of

2