

# Deployable Infrastructure



[marshallgroup.com](http://marshallgroup.com)



**MARSHALL**



## Overview

Marshall's deployable infrastructure products are designed and built to support a broad range of military, humanitarian and civilian missions in even the most extreme operating environments.



MILITARY



HUMANITARIAN



CIVIL



All of our containers are designed for mobility: in addition to being transportable by air, sea, road and rail, they can be stacked in accordance with ISO1496 for ease of storage and movement, and are rapidly deployable once on site.

Built from our highly standardised design principles, our containers offer a wide range of size and equipment choices during initial configuration, while their modular design supports rapid reconfiguration and greatly reduces the complexity of maintenance and repairs in the field.

All our containers are CSC certified, comply with standards in the most highly regulated markets, and have a baseline 20 year service life that can be extended through our overhaul programmes.



# Deployable Infrastructure Base Platforms Overview

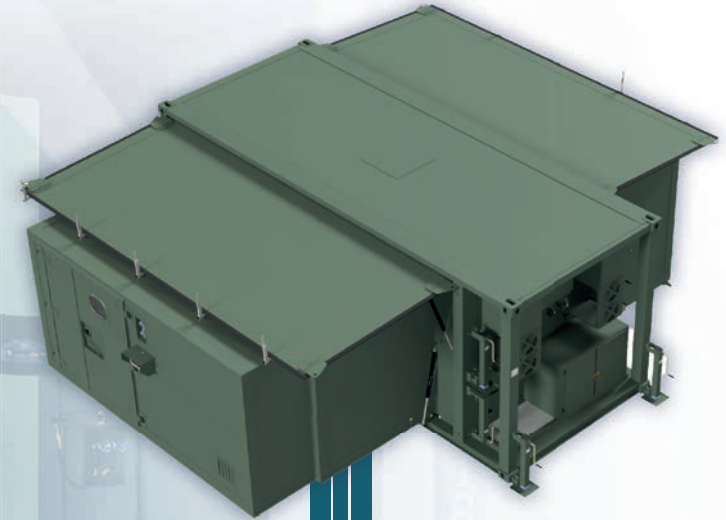
Marshall Deployable Infrastructure solutions are designed from our three core base platforms



10 ft ISO



20 ft ISO



20ft Expandable ISO



# Deployable Infrastructure Modularity & Standardisation

Marshall Deployable Infrastructure incorporates modularity and standardisation throughout the Product range

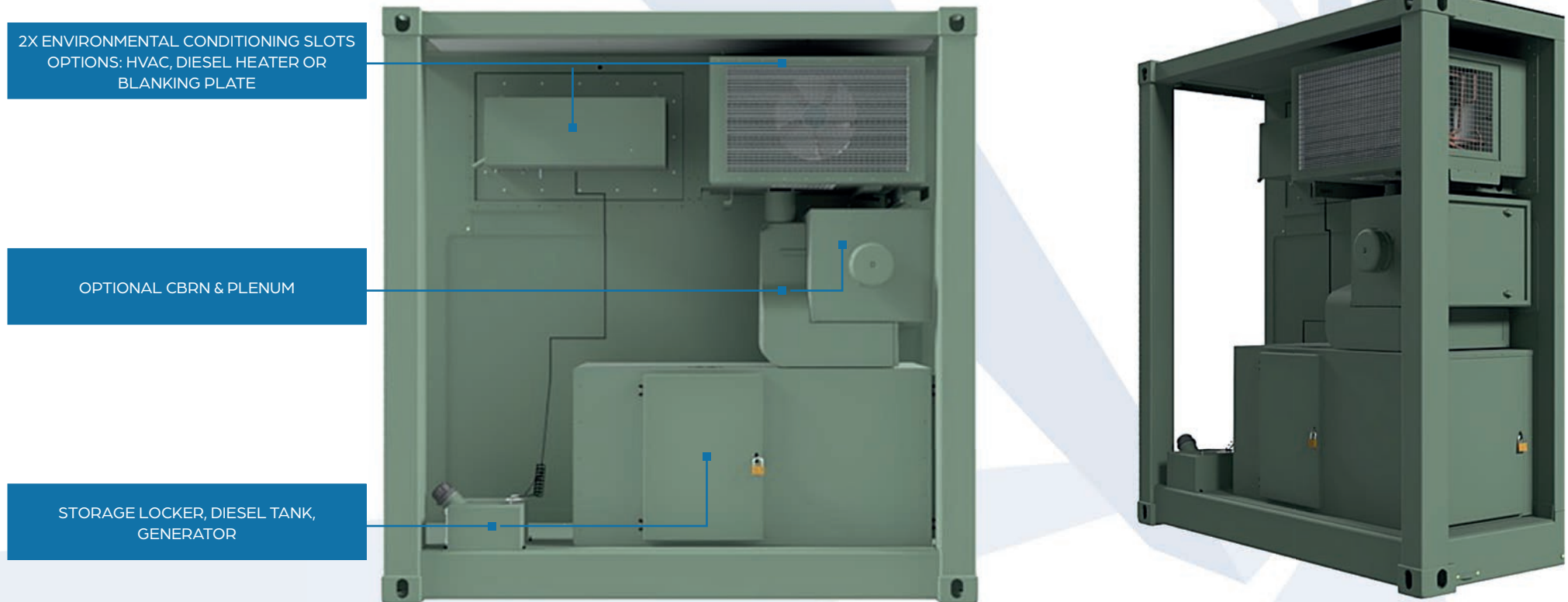
- ISO 668 external dimensions
- Modular Technical End and Subsystems (HVAC, Diesel Heater, CBRN, Generator, Storage Lockers)
- Modular Electrical, EMC/RF Shielding and Lighting System options
- Modular Interior Equipment attachment system & Multiple Internal configuration options
- Standard Door and Platform Options



# Deployable Infrastructure Modularity – Technical End

Technical End:

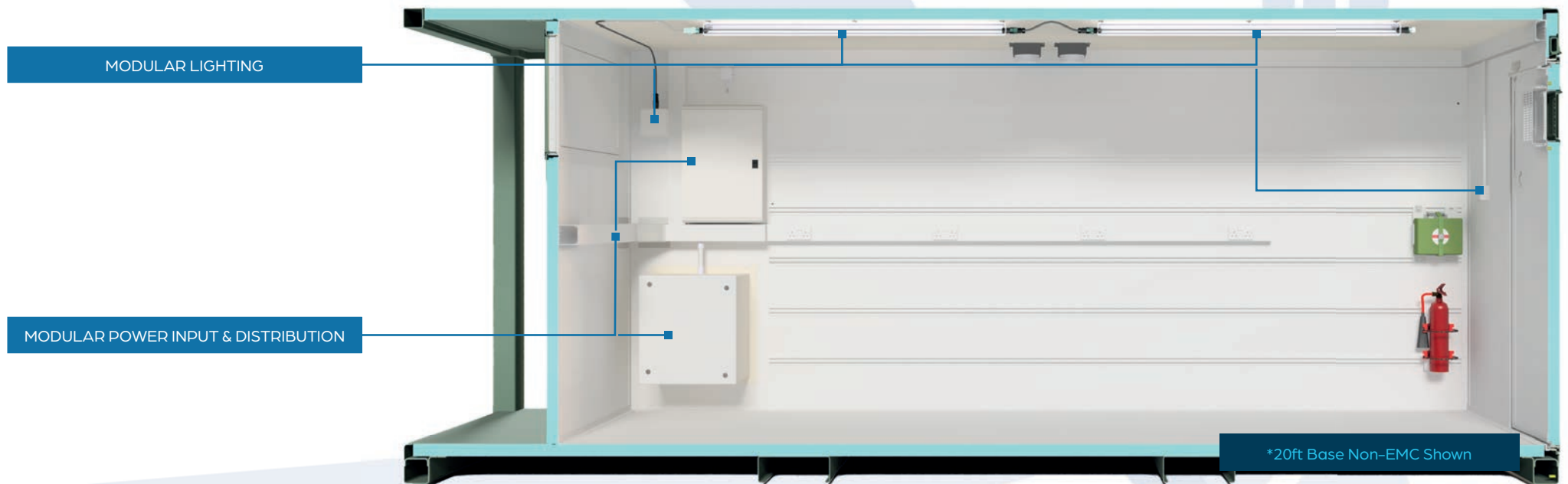
- The Technical End is designed to enable reconfigurability and modularity of sub-systems options.
- Two size Technical ends are available; 750mm & 1000mm.
- The Technical end ensures all sub-systems remain inside the "ISO Envelope", whilst maximising internal container space
- The 1000mm Technical End provides all the modularity of the 750mm, whilst also supporting an 18kW Generator option



# Deployable Infrastructure Modularity – Electrical

Modular Electrical, EMC/RF Shielding and Lighting System options:

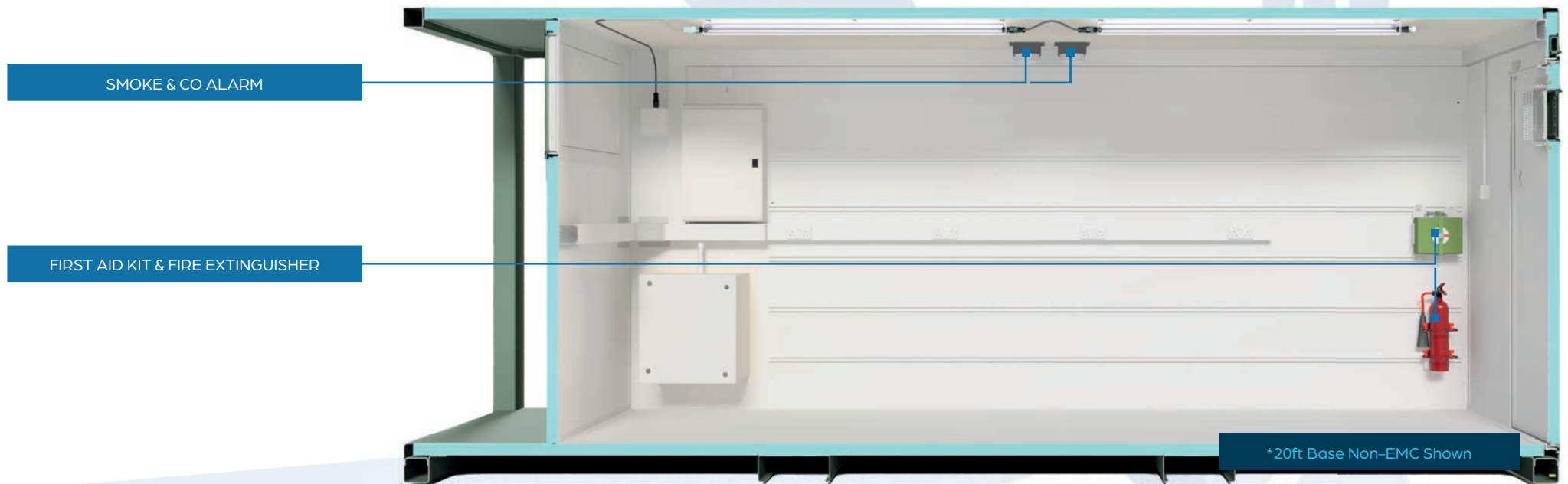
- 32A, 63A, 125A, 400VAC 50hz, 3 Phase Electrical Systems – EU\*
- Modular Socket Circuits with regional outlet options
- Modular “Plug and Play” Lighting System, Options for additional Lighting, Tactical & Emergency Lighting
- Provisions for EMC Power Filtration and Structural EMC Sealing



# Deployable Infrastructure Modularity – Safety

Safety Systems are fitted as standard:

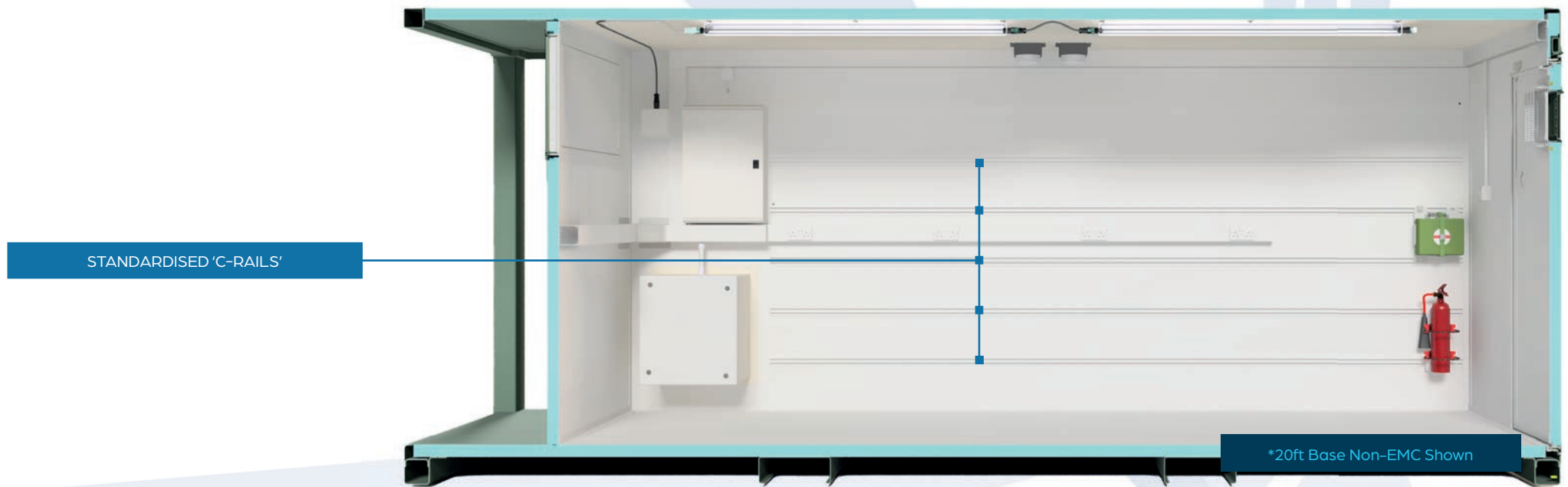
- ||| Smoke and Carbon Monoxide Detector
- ||| First Aid Kit
- ||| Fire Extinguisher – Regional Specific



# Deployable Infrastructure Modularity – Internal Fit

The Marshall Modular Mounting System enables reconfiguration of internal layouts:

- Standard Pitch 'C-Rails' on the side wall and floor of the container
- All Marshall Interior designs are standardised to utilise the Modular Mounting System



STANDARDISED 'C-RAILS'

\*20ft Base Non-EMC Shown



# Deployable Infrastructure Modularity – Doors & Platforms

Marshall offer two door sizes as standard

- 900mm door for personal access
- 1200mm door for pallet and personal access – EU Pallett
- Platform with steps available\*



# Deployable Infrastructure Base Platforms Overview

Marshall Deployable Infrastructure Base Platforms are preconfigured with subsystems based on 75 years of NATO proven capability.

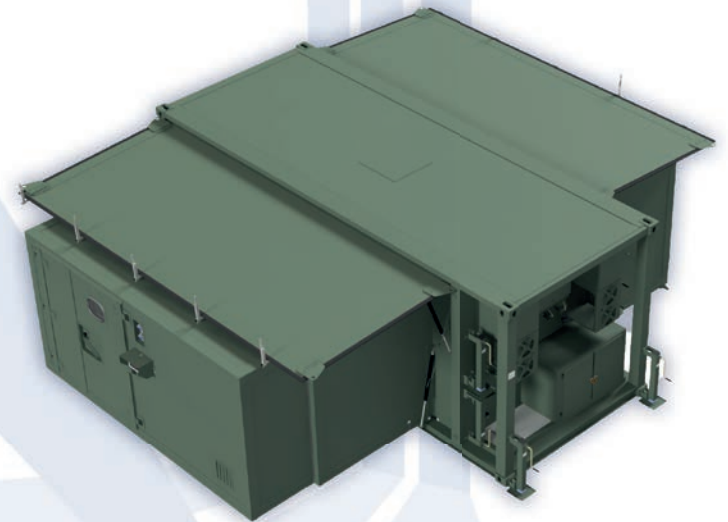
- Base containers offer all the essential sub systems ready for customer interior fit out:
- Main Structural configuration including Modular Mounting System
- Environmental Conditioning Systems
- Electrical Power Distribution and Lighting
- Safety Systems



10 ft ISO 1D



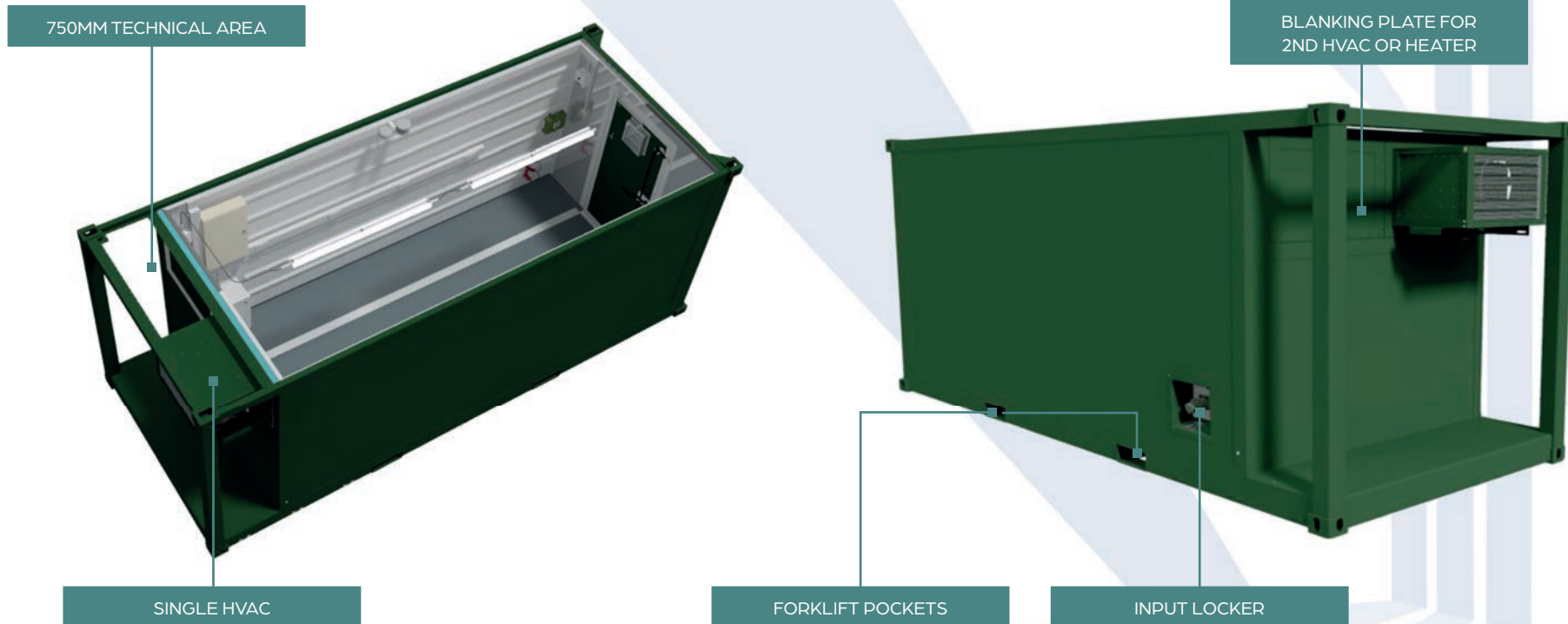
20 ft ISO 1C



20ft Expandable ISO 1C

# Deployable Infrastructure Base Platform (20ft) 1C

Part Number S4005418



### ELECTRICAL POWER OPTIONS

- 32A – Power Pack – Lite
- 63A – Power Pack – Base
- 125A – Power Pack – Plus



### ELECTRICAL SYSTEMS OPTIONS

#### Power-outlets

- Power-outlet Pack – Base
- Power-outlet Pack – Plus



#### Lighting

- Lighting Pack – Base
- Tactical Pack – Base
- Lighting Pack – Plus
- Tactical Pack – Plus



### SAFETY SYSTEM OPTIONS

- Emergency Lighting
- Smoke Detection
- Carbon Monoxide Detection
- Fire Extinguishing Equipment



#### Key

- Standard with base Product
- Option



FRONT VIEW



INSIDE LHS



INSIDE RHS



REAR VIEW

### STRUCTURAL CONFIGURATION OPTIONS

#### Doors

- Single 900mm wide
- Single 1200mm wide
- Double Door



#### Technical Compartment Options

- None
- 750mm Deep
- 1000mm Deep



#### Modular Wall-mount System

- C-Rail Pack – Base
- C-Rail Pack-Plus



### ENVIRONMENTAL SYSTEM OPTIONS

#### Climatic Control

- Climate Pack – Lite
- Climatic Pack – Base
- Climatic Pack – Plus



#### CBRN

- None
- Integrated CBRN Pack\*
- Standalone CBRN Pack



#### Fresh Air Fan

- Fan Pack-Lite
- Fan Pack – Base
- Fan Pack – Plus



\*Available with Climatic Pack – plus



## SHELTER

- Exterior Dimensions 6058mm L x 2438mm W x 2438mm H
- Interior Dimensions 5004mm L x 2260mm W x 2148mm H
- 9 – High Stackability
- 750mm technical area
- Fire retardant walls with <100mm/min propagation speed
- Rear door 1900mm H x 900mm W
- Rear door lock with 3 point mechanism
- Door opening allows full access to door aperture
- 176mm Recessed end wall for optional operating platform
- Exterior paint to withstand Class C medium corrosion
- Compliant for use with EPLS

## ELECTRICAL

- 400Vac 63A 50Hz 3 Phase with capability to 125A
- 17kW available power with container systems powered
- Lightning strike protected
- Integrated surge suppressor
- 4 total double sockets (2 per wall)
- LED ceiling lighting with shock and vibration resistant lights

## MISCELLANEOUS

- Provisioned for emergency lighting
- CO2 Fire extinguisher
- First aid kit
- CO / Smoke alarm
- Approx. weight 2,300kg
- Transportable by Air, Sea, Road and Rail
- CSC certified
- 20 year service life with life extending repairs or modifications possible
- Designed for, but not fitted with, roof restraint system installation

## ENVIRONMENTAL

- Operational in NATO climate conditions A1 (49C) to C1 (-32C)
- Withstands salt spray, driving rain, sand, and snow
- Withstands wind gusts of 180kph (storage) and 108kph (operating)
- Capable of roof loading up to 370kg/m2 (snow loading)
- 5.5kW cooling capacity for internal temp of 18-25C
- Working area noise <65dBA
- Air filter E10 – Course 60%
- Optional CBRN filtration

# Deployable Infrastructure Base Platform (10ft) 1D

Part Number S4002318

■ MARSHALL





### ELECTRICAL POWER OPTIONS

- 32A – Power Pack – Lite
- 63A – Power Pack – Base
- 125A – Power Pack – Plus



### ELECTRICAL SYSTEMS OPTIONS

#### Power-outlets

- Power-outlet Pack – Base
- Power-outlet Pack – Plus



#### Lighting

- Lighting Pack – Base
- Tactical Pack – Base
- Lighting Pack – Plus
- Tactical Pack – Plus



### SAFETY SYSTEM OPTIONS

- Emergency Lighting
- Smoke Detection
- Carbon Monoxide Detection
- Fire Extinguishing Equipment



#### Key

- Standard with base Product
- Option



FRONT VIEW



REAR VIEW

### STRUCTURAL CONFIGURATION OPTIONS

#### Doors

- Single 900mm wide
- Single 1200mm wide
- Double Door



#### Modular Wall-mount System

- C-Rail Pack – Base
- C-Rail Pack – Plus



### ENVIRONMENTAL SYSTEM OPTIONS

#### Climatic Control

- Climatic Pack – Lite
- Climatic Pack – Base
- Climatic Pack – Plus



#### CBRN

- None
- Standalone CBRN Pack



#### Fresh Air Fan

- Fan Pack – Lite
- Fan Pack – Base
- Fan Pack – Plus



\*Available with Climatic Pack – plus



### SHELTER

- Exterior Dimensions 2991mm L x 2438mm W x 2438mm H
- Interior Dimensions 2812mm L x 2260mm W x 2144mm H
- 3 – High Stackability
- Structure EMC rated to 60dB
- Fire retardant walls with <100mm/min propagation speed
- Rear door 1900mm H x 900mm W
- Rear door lock with 3 point mechanism
- Exterior paint to withstand Class C medium corrosion
- Compliant for use with EPLS

### ELECTRICAL

- Compatible with Marshall Standard Electrical Architecture
- Lightning strike protected
- Integrated surge suppressor
- 4 total double sockets (2 per wall)
- LED ceiling lighting with shock and vibration resistant lights

### MISCELLANEOUS

- Provisioned for emergency lighting
- Fire extinguisher
- First aid kit
- CO / Smoke alarm
- Approx. weight 1200kg
- Transportable by Air, Sea, Road and Rail
- CSC certified
- 20 year service life with life extending repairs or modifications possible
- Designed for, but not fitted with, roof restraint system installation

### ENVIRONMENTAL

- Operational in NATO climate conditions A1 (49C) to C1 (-32C)
- Withstands salt spray, driving rain, sand, and snow
- Withstands wind gusts of 180kph (storage) and 108kph (operating)
- Capable of roof loading up to 370kg/m2 (snow loading)
- 4kW cooling capacity for internal temp of 18-25C
- Working area noise <65dBA
- Single ACU installation